

ISS	REVISED BY:	REVISION DATE	ECO #

NOTES:

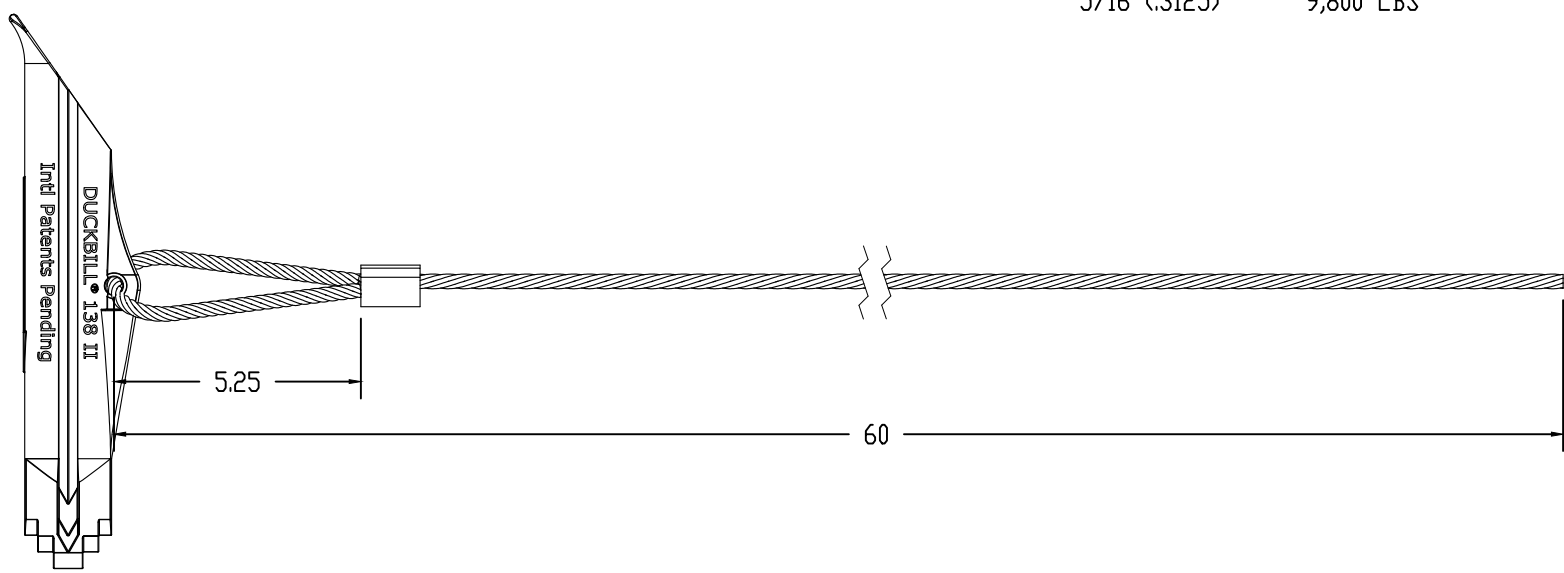
MATERIAL:
 HEAD - ALUMINUM, 22 KSI YIELD
 CABLE - STEEL (GAC)
 SLEEVE - ALUMINUM

DIMENSIONS: INCHES

MECHANICAL RATING:
 ANCHOR RATING WORKING LOAD (RWL) BASED ON INSTALLATION
 IN CLASS 5 SOIL (BLOW COUNT 24-40 PER ASTM D-1586),
 AND MIN. INSTALL DEPTH.

ULT (LB)	RWL (LB)	SOIL BEARING AREA (IN ²)	MIN INSTALL DEPTH (IN)
10,000	5,000	25.98	60

CABLE ULTIMATE BREAKING STRENGTH (GAC):
 5/16 (.3125) 9,800 LBS



This drawing contains confidential information that is the property of MacLean Power, L.L.C. ("MacLean"). Use of MacLean's confidential information without MacLean's express written consent is strictly prohibited and may expose you to legal liability. If you believe that you received this material in error, please destroy it or return it to MacLean Power, L.L.C., Kingsley Park Five, 481 Munn Rd. Suite 300, Fort Mill, SC 29715, USA.



WWW.MACLEANPOWER.COM

CATALOG NUMBER:			10412-II
SHEET NAME:		Sheet1	1 OF 1
DRAWING DESCRIPTION:			4A10G06000-II ANCHOR/WIRE ASSEMBLY
DRAWN BY:	DH	DATE:	09/29/20
APPRVD:		DR	