

ISS	REVISED BY:	REVISION DATE	ECD #

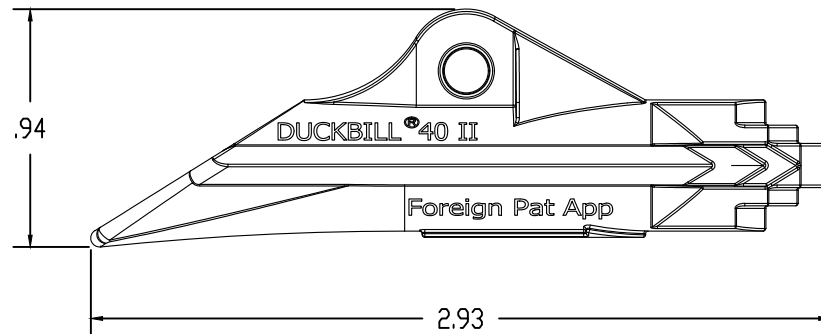
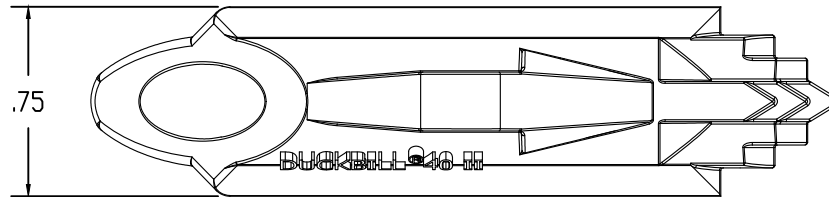
NOTES:

MATERIAL:
HEAD - ALUMINUM, 22 KSI YIELD

DIMENSIONS: INCHES

MECHANICAL RATING:
ANCHOR RATING WORKING LOAD (RWL) BASED ON INSTALLATION
IN CLASS 5 SOIL (BLOW COUNT 24-40 PER ASTM D-1586),
AND MIN. INSTALL DEPTH.

ULT (LB)	RWL (LB)	SOIL BEARING AREA (IN ²)	MIN INSTALL DEPTH (IN)
900	500	1.83	20



CATALOG NUMBER:			10846
SHEET NAME:		Sheet1	1 OF 1
DRAWING DESCRIPTION:			40-DB ANCHOR HEAD ALUMINUM CHISEL TIP
DRAWN BY:	DATE:	APPROVED:	
DH	05/19/21	DR	



WWW.MACLEANPOWER.COM

This drawing contains confidential information that is the property of MacLean Power, L.L.C. ("MacLean"). Use of MacLean's confidential information without MacLean's express written consent is strictly prohibited and may expose you to legal liability. If you believe that you received this material in error, please destroy it or return it to MacLean Power, L.L.C., Kingsley Park Five, 481 Munn Rd. Suite 300, Fort Mill, SC 29715, USA.