

ISS	REVISED BY:	REVISION DATE	ECD #

NOTES:

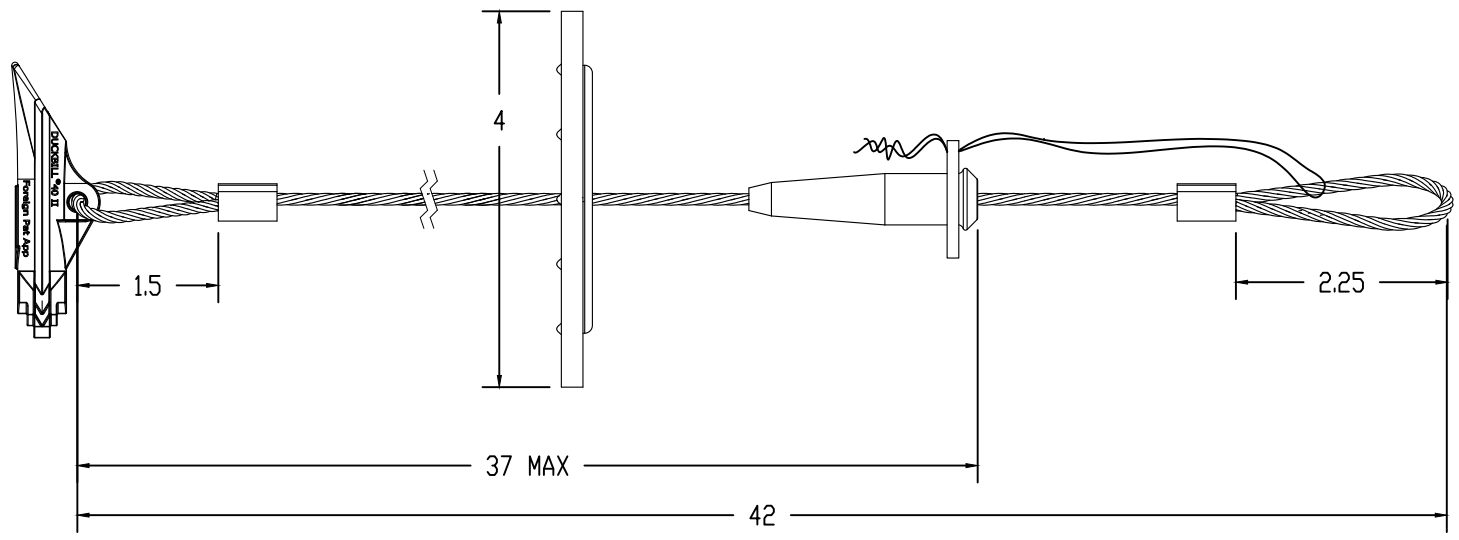
MATERIAL:  
 HEAD - ALUMINUM, 22 KSI YIELD  
 CABLE - STEEL (GAC)  
 SLEEVES - ALUMINUM  
 DISK - NYLON WITH 10 YR UV INHIBITOR

DIMENSIONS: INCHES

MECHANICAL RATING:  
 ANCHOR RATING WORKING LOAD (RWL) BASED ON INSTALLATION  
 IN CLASS 5 SOIL (BLOW COUNT 24-40 PER ASTM D-1586),  
 AND MIN. INSTALL DEPTH.

ULT (LB)	RWL (LB)	SOIL BEARING AREA (IN^2)	MIN INSTALL DEPTH (IN)
900	500	1.83	20

CABLE ULTIMATE BREAKING STRENGTH (GAC):  
 1/8 (.125) 1,700 LBS



CATALOG NUMBER:  
 10946-II

SHEET NAME:  
 Sheet1 1 OF 1

DRAWING DESCRIPTION:  
 TR-40-WG WIRE GRIP/DISK  
 TURF MAT REINFORCEMENT  
 ANCHOR ASSEMBLY

DRAWN BY: DH DATE: 05/21/21 APPROVED: DR



WWW.MACLEANPOWER.COM

This drawing contains confidential information that is the property of MacLean Power, L.L.C. ("MacLean"). Use of MacLean's confidential information without MacLean's express written consent is strictly prohibited and may expose you to legal liability. If you believe that you received this material in error, please destroy it or return it to MacLean Power, L.L.C., Kingsley Park Five, 481 Munn Rd. Suite 300, Fort Mill, SC 29715, USA.