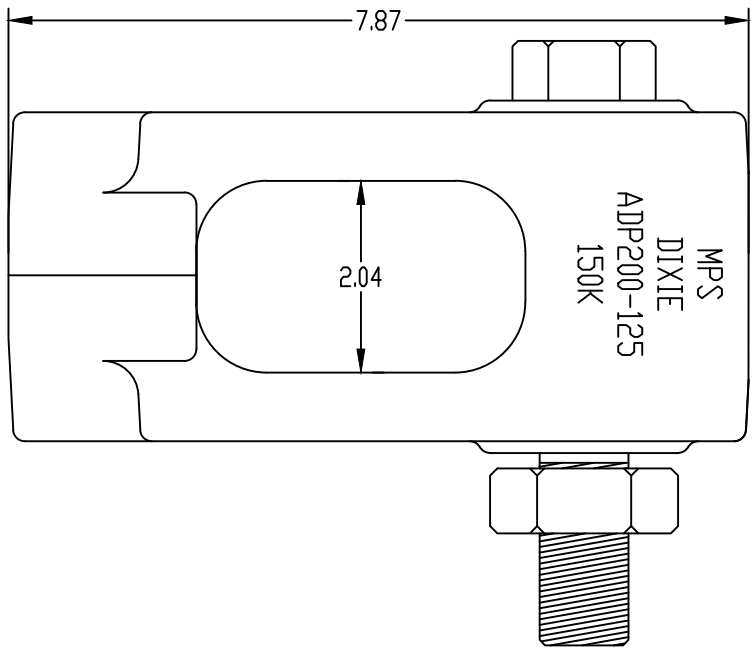


ISS	REVISED BY:	REVISION DATE	ECO #



NOTES:

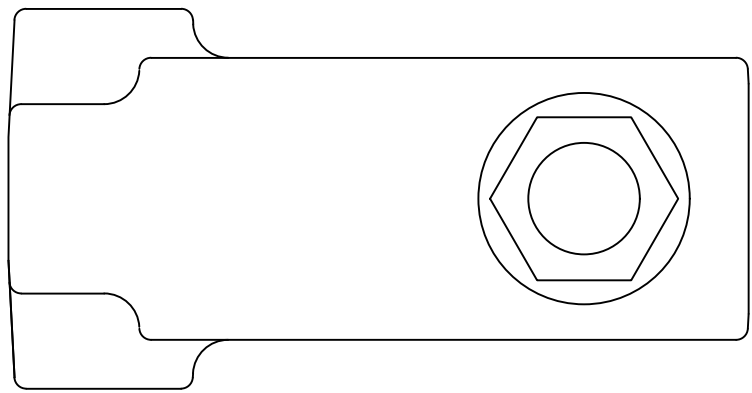
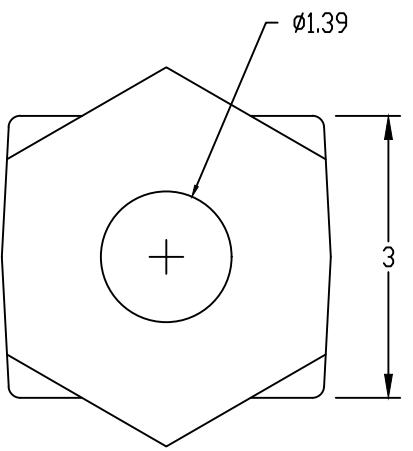
MATERIAL:
DUCTILE IRON, 40 KSI YIELD

FINISH:
HOT DIP GALVANIZED PER ASTM A123
HOT DIP GALVANIZED PER ASTM A153 (HDW)

DIMENSIONS: INCHES

HARDWARE:
HEX HEAD BOLT, 1-1/8" PER ASTM A325 (1 EA)
HEX JAM NUT, 1-1/8" PER ASTM A563 (1 EA)

MECHANICAL RATING:
ULTIMATE TENSILE RATING - 150 KIPS



CATALOG NUMBER: ADP200-125		
SHEET NAME: Sheet1	1 OF 1	
DRAWING DESCRIPTION: 1-1/4" WILLIAMS BAR ADAPTER FOR D15 ANCHORS		
DRAWN BY: DH	DATE: 12/18/20	APPROVED: DR



WWW.MACLEANPOWER.COM

This drawing contains confidential information that is the property of MacLean Power, L.L.C. ("MacLean"). Use of MacLean's confidential information without MacLean's express written consent is strictly prohibited and may expose you to legal liability. If you believe that you received this material in error, please destroy it or return it to MacLean Power, L.L.C., Kingsley Park Five, 481 Munn Rd. Suite 300, Fort Mill, SC 29715, USA.