

INSTALLATION

PRE-CONSTRUCTION CHECKLIST

SAFETY

- » Personal Protective Equipment
- » Fall protection
- » Rigging & lifting
- » Other relevant safety precautions

ENGINEERING & PERMITS

- » Review the detailed final design prepared by the Engineer/Architect of Record
- » Review the project specifications
- » Project design documents take precedent over these general recommendations
- » Make sure necessary project approvals and permits are obtained

PROJECT PLAN REVIEW

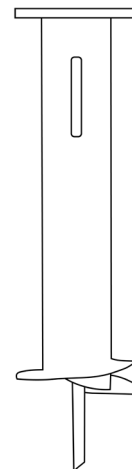
- » Make sure you completely understand project plans, details, and specifications
- » Ask the design engineer any questions you have about the project before starting
- » Coordinate your work with the General Contractor and other trades
- » Consider having a Pre-Installation meeting

CONSTRUCTION PLANNING

- » Locate and mark all underground utilities; call 8-1-1 or online at www.call811.com
- » Pole Foundations should be stored above the ground on wooden cribbing, keeping the units clean.
- » Ensure no damage of the galvanized finish such as staining, cracking, chipping, etc.
- » Use approved lifting devices or padded slings.
- » Verify weight of the units for safe lifting, transport, and installation.

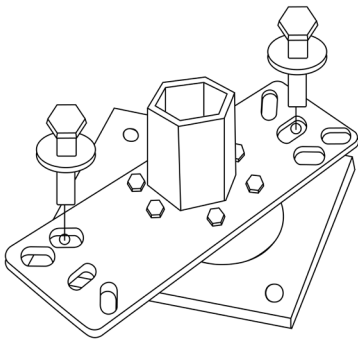
EQUIPMENT

- » Lifting and setting equipment
- » Nylon slings or chains
- » Mini excavator or skid steer with mounted torque motor
- » Soil packing tools
- » Shovels, rakes, hoes
- » Level and measuring tapes

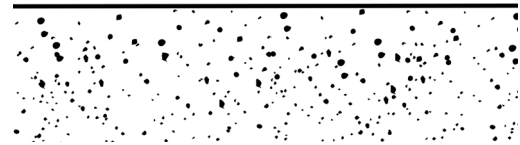
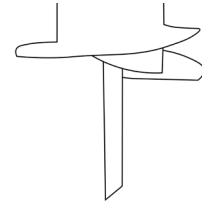


INSTALLATION

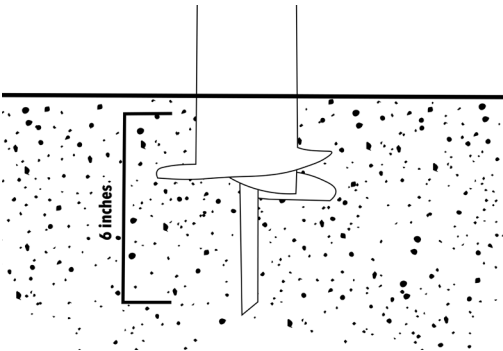
THE DETAILS



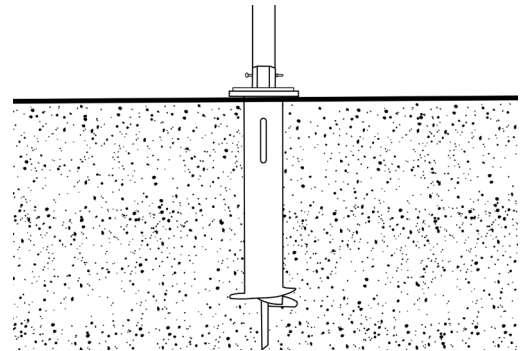
1. Attach the tooling



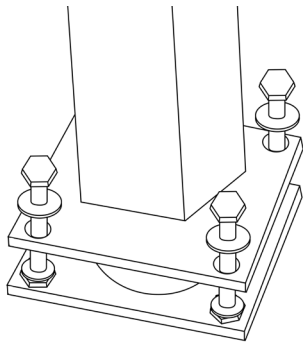
2. Center the pilot point to designated installation point location



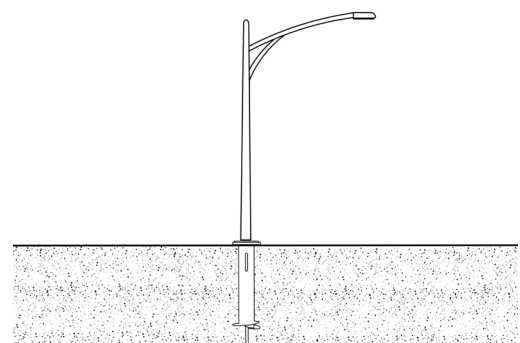
3. Rotate into soil until baseplate is approximately 6" above the soil line



4. Rotate the base so the slot is lined up parallel with the street



5. Insert hardware through the bottom of the baseplate



6. Remove all the soil from top of the base plate and raise the pole