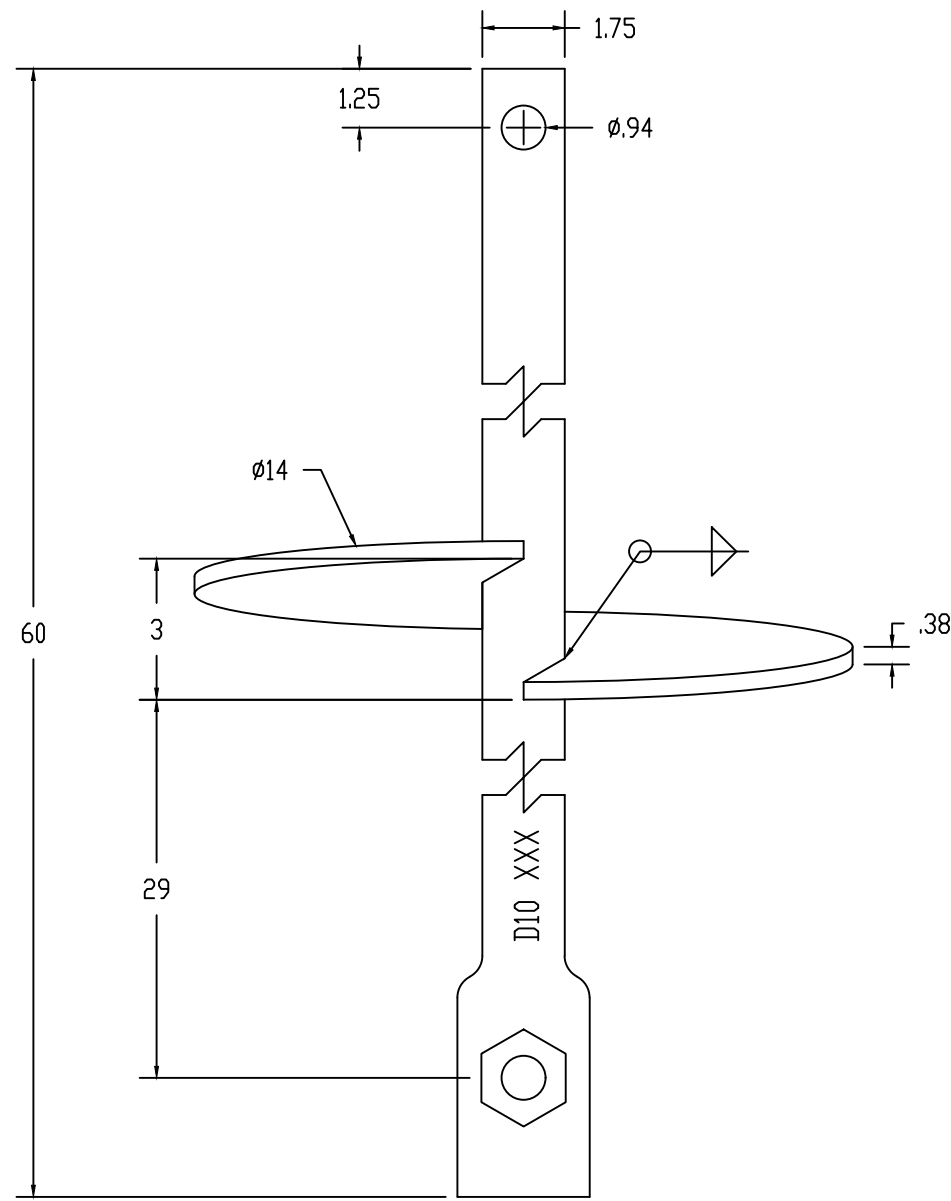


ISS	REVISED BY:	REVISION DATE	ECD #



NOTES:

ICC-ES EVALUATION REPORT ESR-3032 ACCREDITED PRODUCT

MATERIAL:
RCS - SHAFT STEEL, 90 KSI YIELD
HELIX - STEEL, 55 KSI YIELD

FINISH:
HOT DIP GALVANIZED PER ASTM A123
HOT DIP GALVANIZED PER ASTM A153 (HDW)

DIMENSIONS: INCHES

HARDWARE:
HEX HEAD BOLT, 7/8Ø PER ASTM A325 (1 EA)
HEX JAM NUT, 7/8Ø PER ASTM A563 (1 EA)

MECHANICAL RATING:
TORQUE - 10,400 FT-LBS
Kt FACTOR - 10
ULTIMATE AXIAL CAPACITY - 100 KIPS

This drawing contains confidential information that is the property of MacLean Power, L.L.C. ("MacLean"). Use of MacLean's confidential information without MacLean's express written consent is strictly prohibited and may expose you to legal liability. If you believe that you received this material in error, please destroy it or return it to MacLean Power, L.L.C., Kingsley Park Five, 481 Munn Rd. Suite 300, Fort Mill, SC 29715, USA.



WWW.MACLEANPOWER.COM

CATALOG NUMBER: D10E60S14S29		
SHEET NAME: Sheet1	1 OF 1	
DRAWING DESCRIPTION: RCS EXTENSION D10, W/ HELIX 1-3/4" X 60"		
DRAWN BY: DH	DATE: 03/05/20	APPROVED: DR