

ISS	REVISED BY:	REVISION DATE	ECD #

NOTES:

MATERIAL:

PLATE - STEEL, 36 KSI YIELD
 COUPLER - STEEL, 40 KSI YIELD

WELDING REQUIREMENTS:

ALL WELDING TO BE PERFORMED BY WELDERS CERTIFIED UNDER SECTION 5 OF AWS D1.1

FINISH:

PAINT, DARK GREEN
 HOT DIP GALVANIZED PER ASTM A153 (HDW)

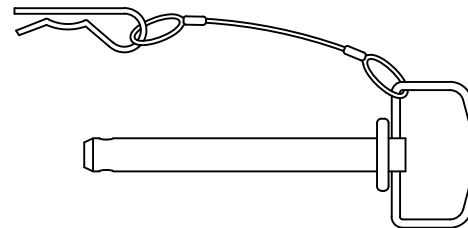
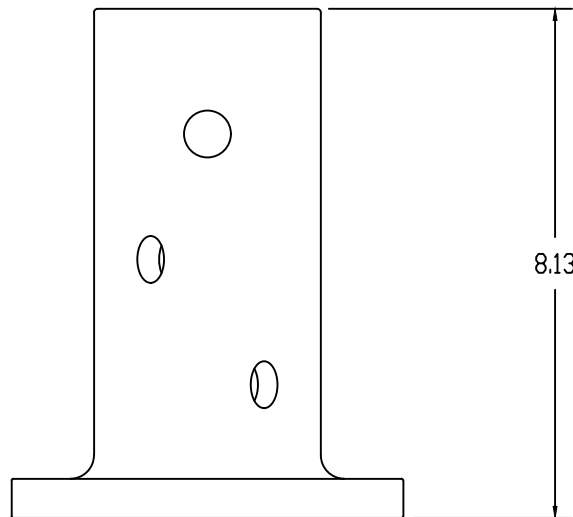
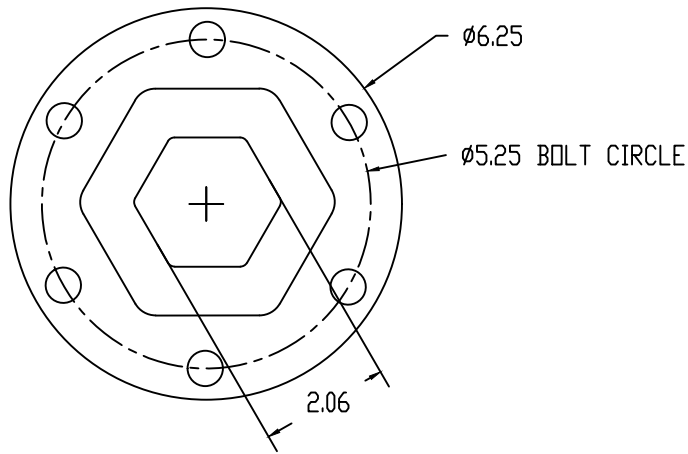
DIMENSIONS: INCHES

HARDWARE:

HEX HEAD BOLT, 1/2" PER ASTM A325 (6 EA)
 HEX JAM NUT, 1/2" PER ASTM A563 (6 EA)
 LOCK WASHER, 1/2" PER AISI C-1090 (6 EA)
 D-RING PIN W/ CP (1 EA)

MECHANICAL RATING:

ULTIMATE INSTALLATION TORQUE - 10,000 FT-LBS



CATALOG NUMBER:			KB200-525
SHEET NAME:		Sheet1	1 OF 1
DRAWING DESCRIPTION:			
2" KELLY BAR ADAPTER 5-1/4" BOLT CIRCLE			
DRAWN BY:	DH	DATE:	04/27/21
APPROVED:			DR



WWW.MACLEANPOWER.COM

This drawing contains confidential information that is the property of MacLean Power, L.L.C. ("MacLean"). Use of MacLean's confidential information without MacLean's express written consent is strictly prohibited and may expose you to legal liability. If you believe that you received this material in error, please destroy it or return it to MacLean Power, L.L.C., Kingsley Park Five, 481 Munn Rd. Suite 300, Fort Mill, SC 29715, USA.