

# MACLEAN **STREET LIGHT FOUNDATION**

## ADVANTAGES >

INSTALLS IN MINUTES  
POLES MOUNTED IMMEDIATELY  
REDUCED TOTAL INSTALLATION TIME  
ALL WEATHER INSTALLATION  
NO CONCRETE REQUIRED  
GENERATES NO SPOILS



*KEEPING  
THE LIGHTS ON*

**BUILDING STRONG FOUNDATIONS**

 **MacLean**<sup>TM</sup>  
POWER SYSTEMS

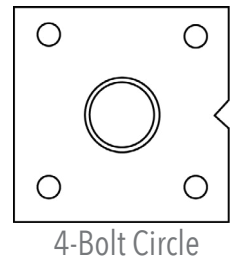
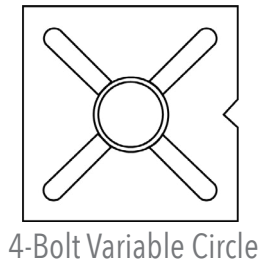
# ABOUT MPS

We are "Connecting People for Good" by manufacturing and supplying products for electric utility, civil/construction and communication markets. Our areas of product expertise include: anchors, piles, automatic splices and bolted connectors, silicone rubber non-ceramic insulators for transmission, distribution and substation applications, surge arresters, pole line hardware, aluminum and ductile clamps, fiberglass brackets and guy strains, steel fabrications, bonding and grounding products, and more!

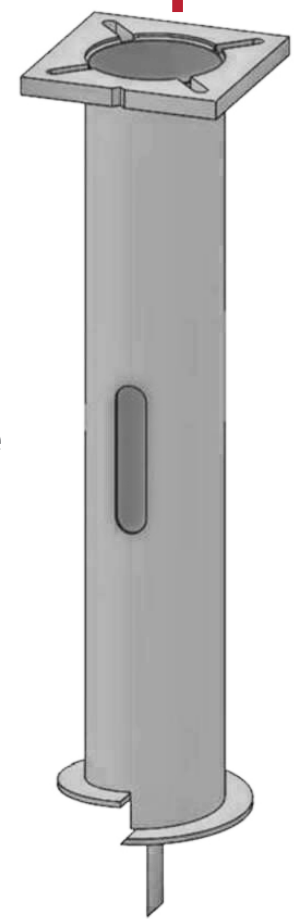


## APPLICATIONS

- StreetLights
- Parking Lots
- Walkway
- Highway



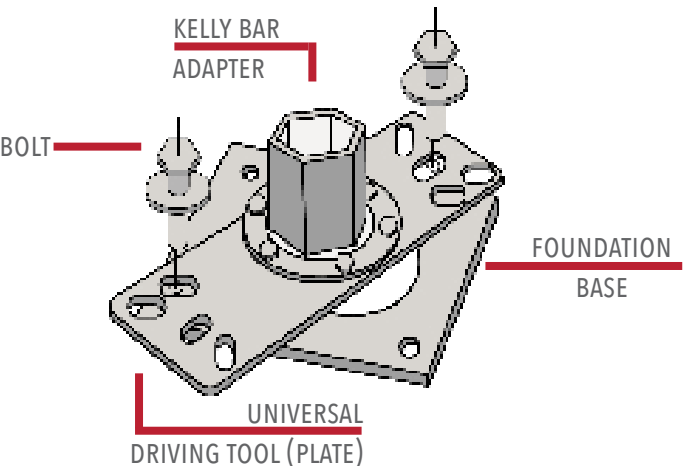
MOUNTING PLATE VARIATIONS



## KEY FEATURES

- High Strength Pipe with rugged helix for difficult soils
- Pilot Tip for ease of installation
- Structural Steel Mounting Plate
- Two-sided wiring slot
- Hot-dip galvanized to ASTM A123
- DOT Breakaway Suitable
- Designed AASHTO specification

### Universal Installation Tool



# INSTALL STREETLIGHTS THE SAME DAY WITH A FRACTION OF THE MANPOWER

The MacLean Street Light Foundation is a one-piece steel Pile used to support light poles. The MPS helical foundation is rotated into the soil using simple hydraulic equipment. Our Street Light Foundation is an economical solution that reduces your total cost of labor associated with outdated methods.



**UNIVERSALLY ACCEPTED**  
Our products go beyond the DOT and state requirements.



**MINIMAL SITE DISTURBANCE**  
Minimal site cleanup of disturbed soil - no spoils to haul away and no auguring of holes.



**EZ SIMPLE INSTALLATION**  
Install Streetlights during the day and have light by that same night.



**LESS LABOR**  
MacLean Street Light Foundation easy installation calls for smaller crew and without return trips.



**SITE SPECIFIC DESIGN**  
Our products are engineered per project specification.



**SMALL EQUIPMENT**  
No need for cement trucks, no building forms, tying rebar and no anchor bolts.

<b>MEDIUM DUTY FOUNDATION</b> <i>FOR POLE STANDARDS RANGING FROM 20" - 30" HIGH</i>	<b>DIAMETER</b>	6 - 5/8"
	<b>LENGTH</b>	5' - 7'
	<b>FOUNDATION TOP PLATES</b>	4 Tapped Holes / 4 Slotted
	<b>HARDWARE INCLUDED</b>	Carriage Bolts, Nuts and Washers
<b>HEAVY DUTY FOUNDATION</b> <i>FOR POLE STANDARDS RANGING FROM 30" - 50" HIGH WITH ONE OR TWO MAST ARMS</i>	<b>DIAMETER</b>	8 - 5/8" and 10 - 3/4"
	<b>LENGTH</b>	5' - 10'
	<b>FOUNDATION TOP PLATES</b>	4 Tapped Holes / 4 Slotted
	<b>HARDWARE INCLUDED</b>	Carriage Bolts, Nuts and Washers



Scan the QR code or visit  
[macleancivilproducts.com](http://macleancivilproducts.com)  
or scan code for more  
product information.



Scan the QR code or visit  
[macleanpower.com](http://macleanpower.com)  
or scan code for more  
product information.

MacLean Power Systems  
481 Munn Road, Suite 300  
Fort Mill, SC 29715 USA

Customer Service **1.855.MPS.SHIP**

© 2021 MacLean Power Systems  
SLF Advertising Brochure – R06112021