

ISS	REVISED BY:	REVISION DATE	ECD #

NOTES:

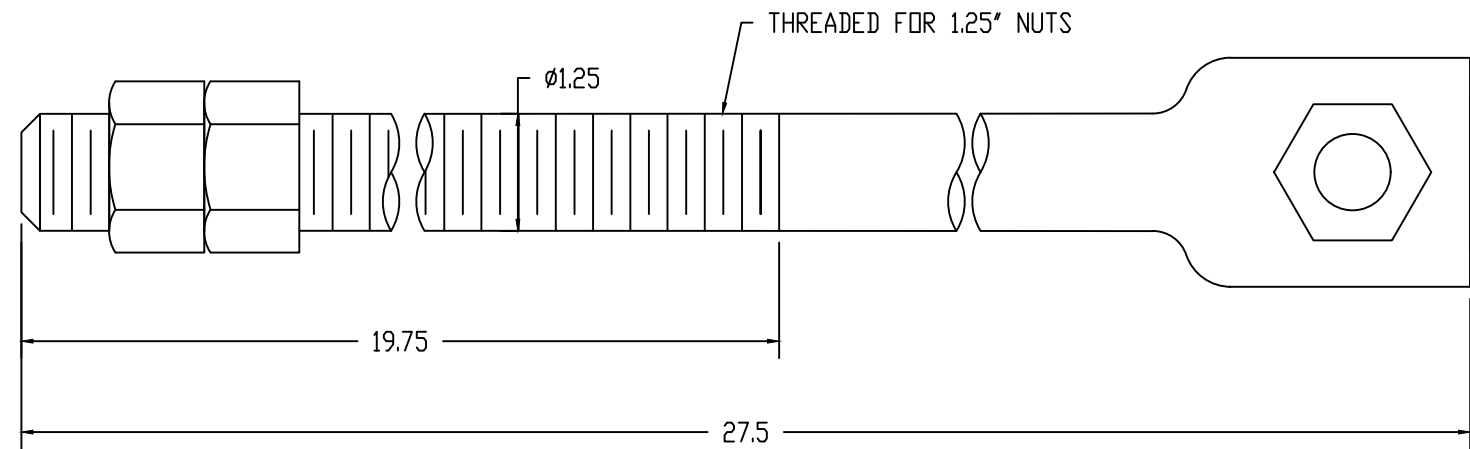
MATERIAL:
 ROUND BAR - STEEL, 50 KSI YIELD

FINISH:
 HOT DIP GALVANIZED PER ASTM A123
 HOT DIP GALVANIZED PER ASTM A153 (HDW)

DIMENSIONS: INCHES

HARDWARE:
 HEX HEAD BOLT, 3/4" PER ASTM A325 (1 EA)
 HEX JAM NUT, 3/4" PER ASTM A563 (1 EA)
 HEAVY HEX NUT, 1-1/4" PER ASTM A563 (2 EA)

MECHANICAL RATING:
 ULTIMATE TENSILE RATING - 50 KIPS



This drawing contains confidential information that is the property of MacLean Power, L.L.C. ("MacLean"). Use of MacLean's confidential information without MacLean's express written consent is strictly prohibited and may expose you to legal liability. If you believe that you received this material in error, please destroy it or return it to MacLean Power, L.L.C., Kingsley Park Five, 481 Munn Rd. Suite 300, Fort Mill, SC 29715, USA.



WWW.MACLEANPOWER.COM

CATALOG NUMBER: N-6401-0001		
SHEET NAME: Sheet1	1 OF 1	
DRAWING DESCRIPTION: TIEBACK TERMINATION FOR D6/D7 ANCHORS		
DRAWN BY: DH	DATE: 03/03/20	APPROVED: DR