

ISS	REVISED BY:	REVISION DATE	ECD #
-----	-------------	---------------	-------

NOTES:

ICC-ES EVALUATION REPORT ESR-3032 ACCREDITED PRODUCT

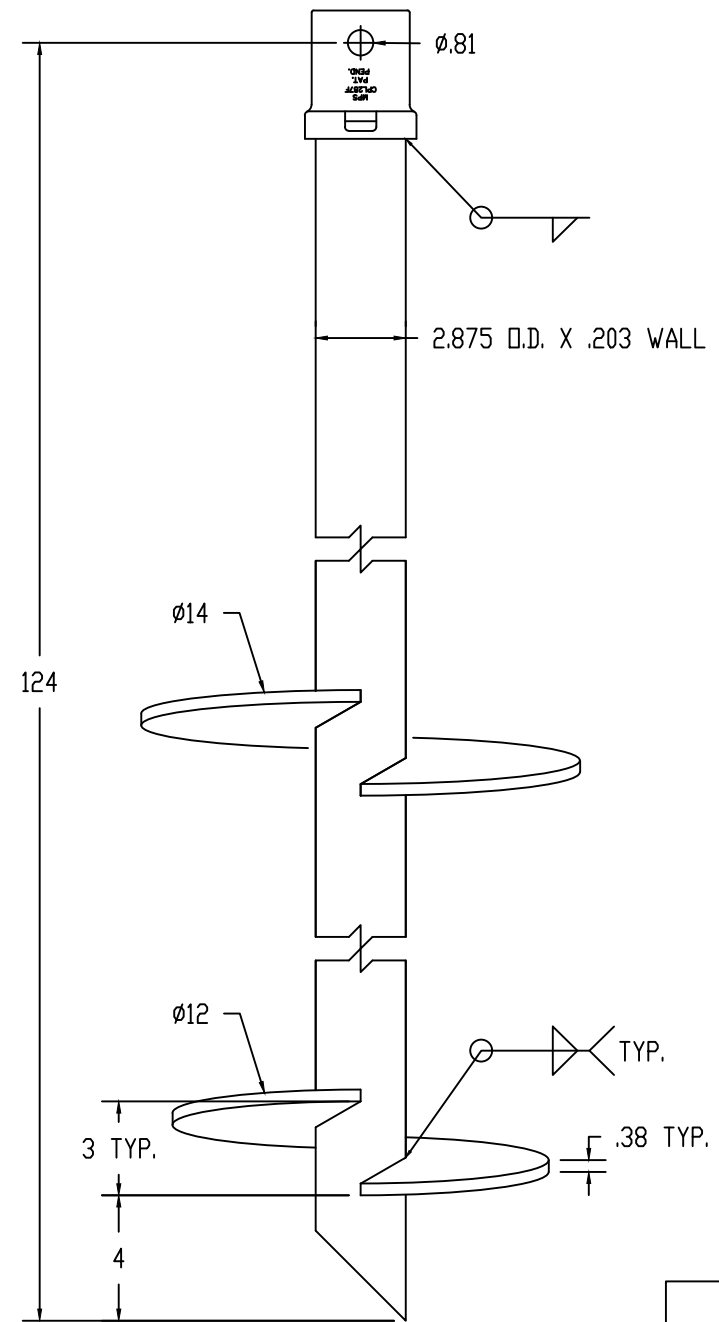
MATERIAL:
 HELIX - STEEL, 55 KSI YIELD
 COUPLER - STEEL, 40 KSI YIELD
 PIPE - SHAFT STEEL, 50 KSI YIELD

WELDING REQUIREMENTS:
 ALL WELDING TO BE PERFORMED BY WELDERS CERTIFIED
 UNDER SECTION 5 OF AWS D1.1

FINISH:
 NONE

DIMENSIONS: INCHES

MECHANICAL RATING:
 TORQUE - 7,500 FT-LBS
 Kt FACTOR - 9
 ULTIMATE AXIAL CAPACITY - 70 KIPS



This drawing contains confidential information that is the property of MacLean Power, L.L.C. ("MacLean"). Use of MacLean's confidential information without MacLean's express written consent is strictly prohibited and may expose you to legal liability. If you believe that you received this material in error, please destroy it or return it to MacLean Power, L.L.C., Kingsley Park Five, 481 Munn Rd. Suite 300, Fort Mill, SC 29715, USA.



WWW.MACLEANPOWER.COM

CATALOG NUMBER: P28124S1214U		
SHEET NAME: Sheet1	1 OF 1	
DRAWING DESCRIPTION: PIPE LEAD, UNGALVANIZED P28, MULTI-HELIX 2-7/8" X 124"		
DRAWN BY: DH	DATE: 11/25/20	APPROVED: DR